

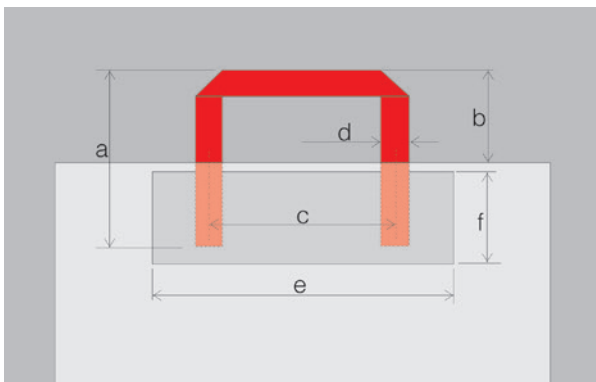
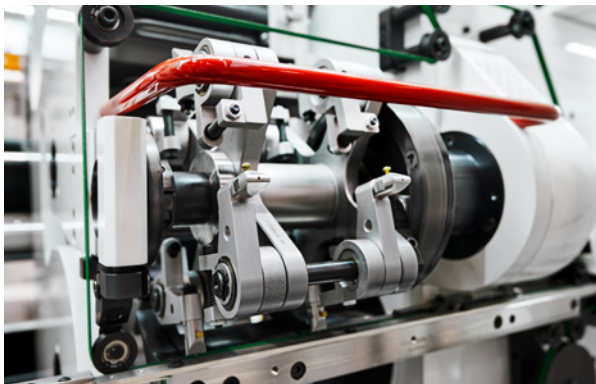
# FLAT HANDLE UNIT 9626 SERVO

Production of bags with flat handle for TRIUMPH block bottom bag machine



# FLAT HANDLE UNIT 9626 SERVO

Production of bags with flat handle for TRIUMPH block bottom bag machine



## Technical data

Handle system height*	Position a	max. 175 mm	up to 6.89 inch	
Handle excess*	Position b	max. 95 mm	up to 3.74 inch	
Handle width	Position c	110 mm	4.33 inch	
Handle tape width	Position d	18 mm	0.71 inch	15 mm 0.59 inch
Handle tape length		350–450 mm	13.78–17.72 inch	
		Standard: 350 mm	Standard: 13.78 inch	
Handle paper	3-layer folded	100–140 g/m <sup>2</sup>	100–140 g/m <sup>2</sup>	
	5-layer folded	70–90 g/m <sup>2</sup>	70–90 g/m <sup>2</sup>	
Handle paper width	3-layer folded	45 mm	1.77 inch	40 mm 1.57 inch
	5-layer folded	80 mm	3.15 inch	75 mm 2.95 inch
Reinforcement patch width	Position e	160/170/180 mm	6.29/6.69/7.09 inch	
Reinforcement patch length	Position f	50/60/70/80 mm	1.96/2.36/2.76/3.15 inch	
Reinforcement patch paper			70–120 g/m <sup>2</sup>	

\* depending on handle cut off length

## Innovations

- Control the entire machine line via additional touch panel at the handle unit
- Continuous servo technology
- Settings on the machine can be altered during production
- Extremely short change over times

## Optional equipment

- Laminating unit for 2 layer bags

## Format range SM (flat handle)

Bag width	180–460 mm (540 mm)	7.09–18.11 inch (21.26 inch)
Cut-off length	250–770 mm	9.84–30.31 inch
Paper width	max. 1500 mm	max. 59.06 inch
Max. distance handle center – handle center	750 mm	29.52 inch
Min. distance handle center – handle center	250 mm	9.84 inch

## Garant Maschinenhandel GmbH

Gewerbepark Antrup 17 · 49525 Lengerich · Germany · Phone: +49 5481 809-0 · Fax: +49 5481 809-8109  
 info@garant-maschinen.de · www.garant-maschinen.de



**GARANT MASCHINEN**

MEMBER OF W&H-GROUP